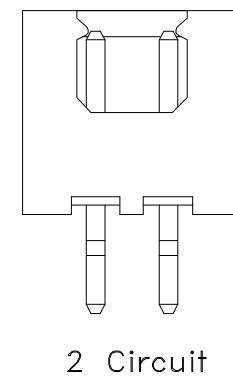
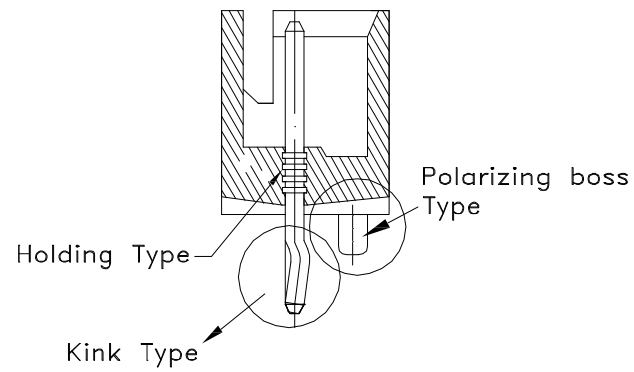


Recommended PCB Layout(Top View)

General tolerance ±0.05

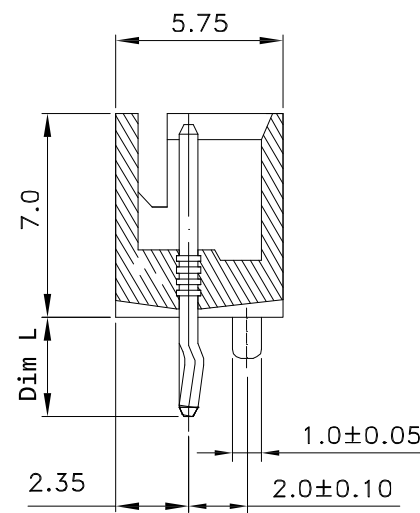
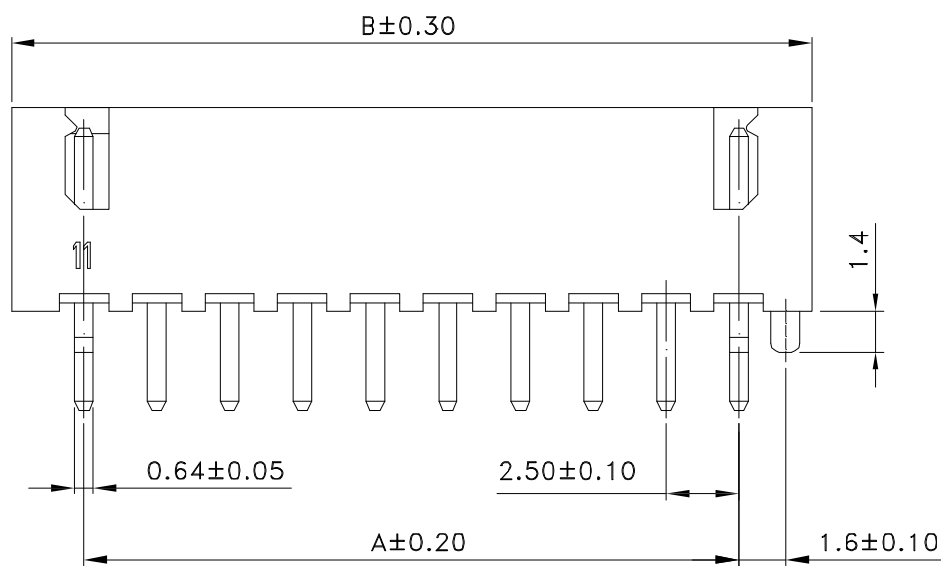
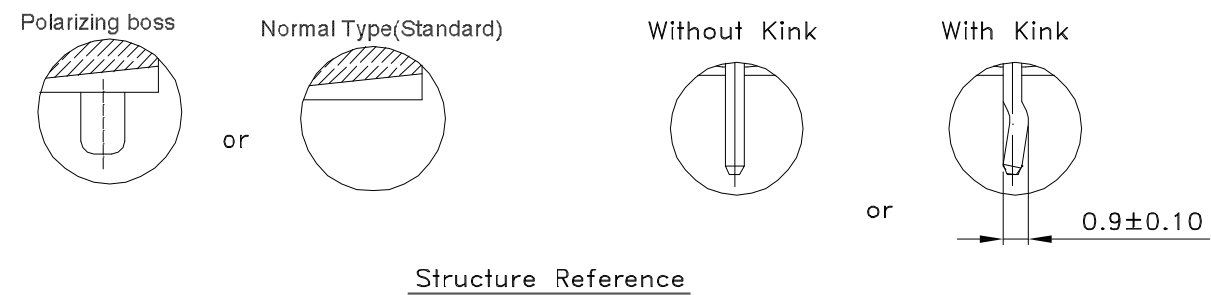
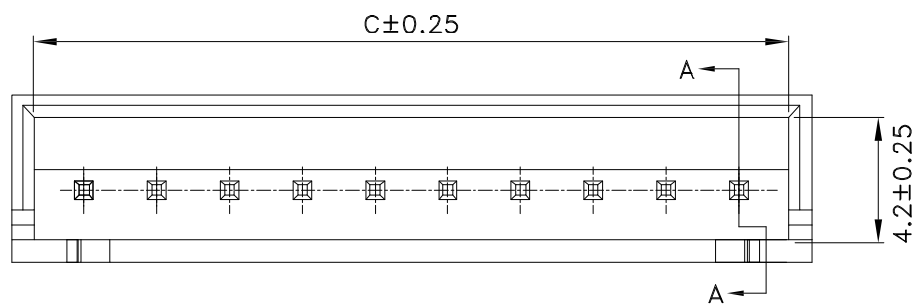


SPECIFICATIONS

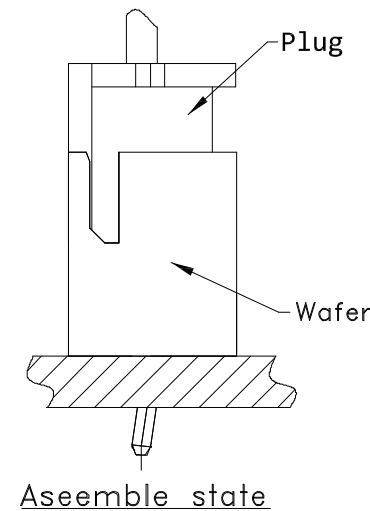
Current Rate: 3A AC/DC
 Voltage Rate: 250V AC/DC
 Insulation Resistance: 1000MΩ min.
 Contact Resistance: 20mΩ Max.
 Dielectric Voltage: 1000V AC for 1 minute
 Operation Temperature: -25°C ~ +85°C

MATERIAL

Insulator: Nylon 66 ,UL94V-0
 Terminal: Brass



A-A Section



Aseemble state

RoHS Compliant

Poles	Dimension(mm)			Poles	Dimension(mm)		
	A	B	C		A	B	C
2	2.50	7.50	6.00	12	27.50	32.50	31.00
3	5.00	10.00	8.50	13	30.00	35.00	33.50
4	7.50	12.50	11.00	14	32.50	37.50	36.00
5	10.00	15.00	13.50	15	35.00	40.00	38.50
6	12.50	17.50	16.00	16	37.50	42.50	41.00
7	15.00	20.00	18.50	17	40.00	45.00	43.50
8	17.50	22.50	21.00	18	42.50	47.50	46.00
9	20.00	25.00	23.50	19	45.00	50.00	48.50
10	22.50	27.50	26.00	20	47.50	52.50	51.00
11	25.00	30.00	28.50				

Ordering Information

WH 2 **XX** **PT** **X** **X** **H** **X** **N-81**
 2.5Ph Wafer Solder/PCB 2:DIP VT 02~20Pin Contact Plated
 PT:Matte Tin Dim L Type 1 Type 2 Type 3 Housing Color
 BT:Bright Tin A:3.4 K:With Kink H: Holding Type P:Polarizing Boss R:Red(199C#)
 G1:Gold Flash C:2.7 A:No Kink S:Normal Type N:Normal T:Red(198C#)
 N:Nature B:Black U:Blue Y:Yellow
 D:2.4

REV.	REVISION RECORD	DATE	General Tolerance
A	Original	10/22/18"	LINEAR 0.0 ±0.25 ANGLE ±3°
B	Revised	02/10/22"	0.00 ±0.20
			UNIT: mm
			A4 NAME
			APPROVED WENNY
			DESIGNER GRACE
			DRAWN CHAOSHIN



TITLE: 2.5Ph Wafer DIP Vertical 7.0H

DWG.NO: WH2XXPTXXHXN-81 REV. B

SCALE 1 : 1 SHEET 1 OF 1