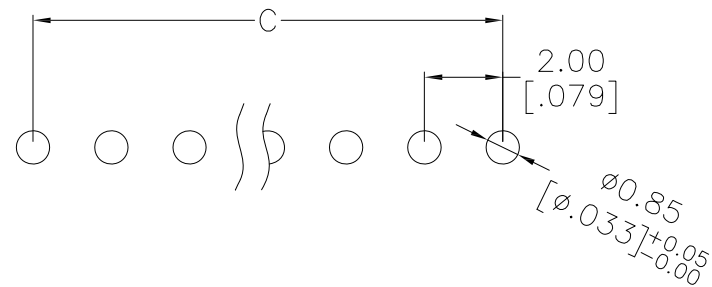
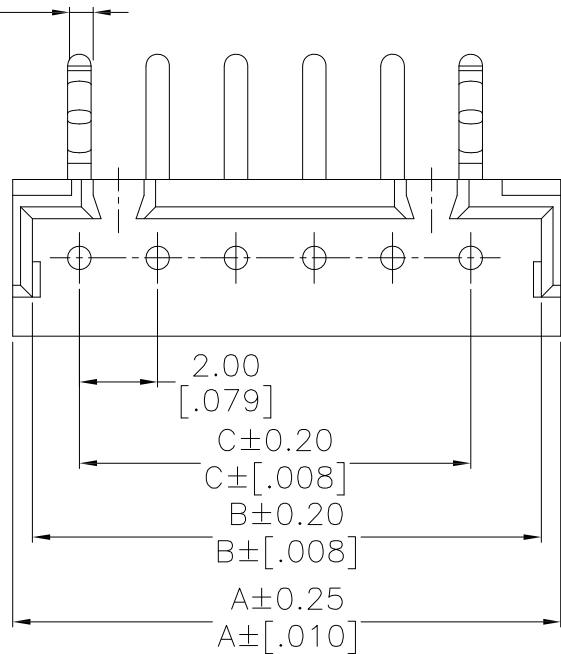


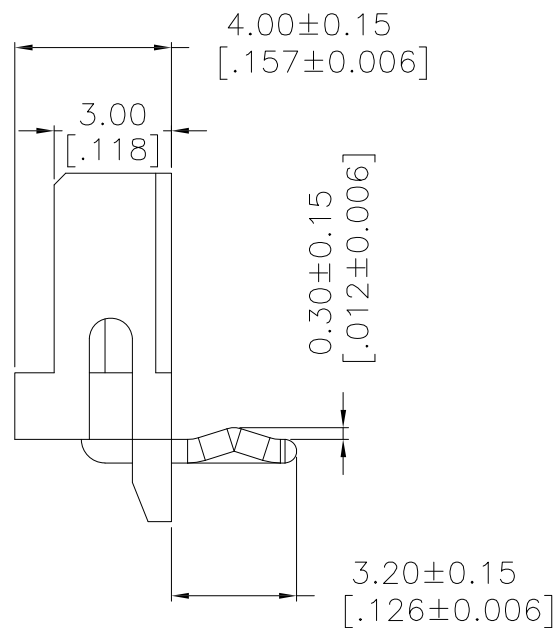
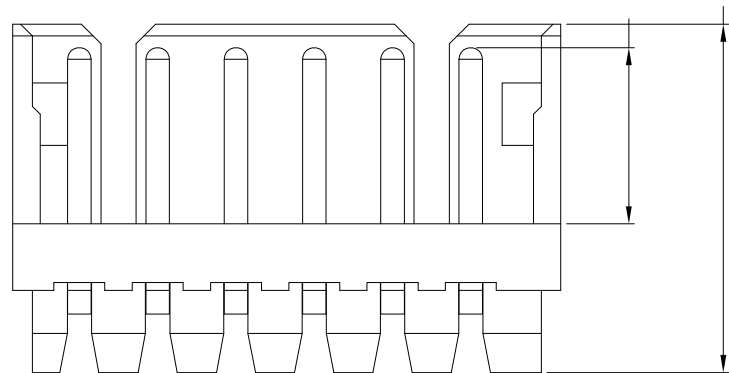
∅0.60
[.024]



RECOMMENDED PCB LAYOUT
TOLERANCE IS ±0.05

Circuits	Dimensions		
	A	B	C
2	6.00[.236]	5.00[.197]	2.00[.079]
3	8.00[.315]	7.00[.276]	4.00[.157]
4	10.00[.394]	9.00[.354]	6.00[.236]
5	12.00[.472]	11.00[.433]	8.00[.315]
6	14.00[.551]	13.00[.512]	10.00[.394]
7	16.00[.630]	15.00[.591]	12.00[.472]
8	18.00[.709]	17.00[.669]	14.00[.551]
9	20.00[.787]	19.00[.748]	16.00[.630]
10	22.00[.866]	21.00[.827]	18.00[.709]
11	24.00[.945]	23.00[.906]	20.00[.787]
12	26.00[1.024]	25.00[.984]	22.00[.866]
13	28.00[1.102]	27.00[1.063]	24.00[.945]
14	30.00[1.181]	29.00[1.142]	26.00[1.024]
15	32.00[1.260]	31.00[1.220]	28.00[1.102]

4.50±0.15
[.177±0.006]
8.90±0.15
[.350±0.006]

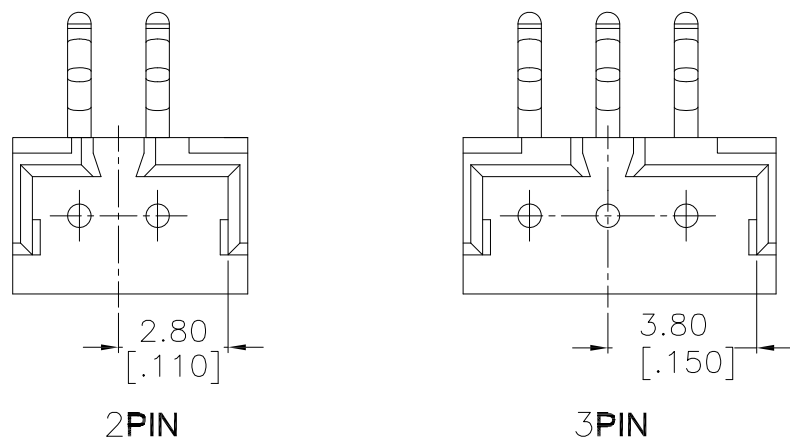


SPECIFICATIONS:

Current Ratio: 1A
Withstand Voltage: 250V AC/minute
Operating Temperature: -25°C~+85°C
Insulation Resistance: 500MΩ min.
Contact Resistance: 30mΩ max.

MATERIAL:

Terminal: Brass
Housing: PA6T,UL94V-0,Beige



RoHS
Compliant

Ordering Information

WG - 1 - XX - PT - 3PB 6 - T-131
 2.0Ph Wafer Solder/PCB 1:DIP R/A 02~15Pin Contact Plated PT: Tin Housing Color B:Beige Housing Material 6:PA6T Packaging T:Tube

REV.	REVISION RECORD	DATE	General Tolerance LINEAR 0.0 ±0.25 ANGLE ±3° 0.00 ±0.20	
A	Original	03/28/22"	UNIT: mm	
			A4	NAME
			APPROVED	KENNY
			CHECKED	GRACE
			DESIGNER	WAYFON
			TITLE: 2.0Ph Wafer DIP Right Angle 4.0H	
			DWG.NO: WG1XXPT3PB6T-131 REV. A	
			SCALE	1 : 1 SHEET 1 OF 1