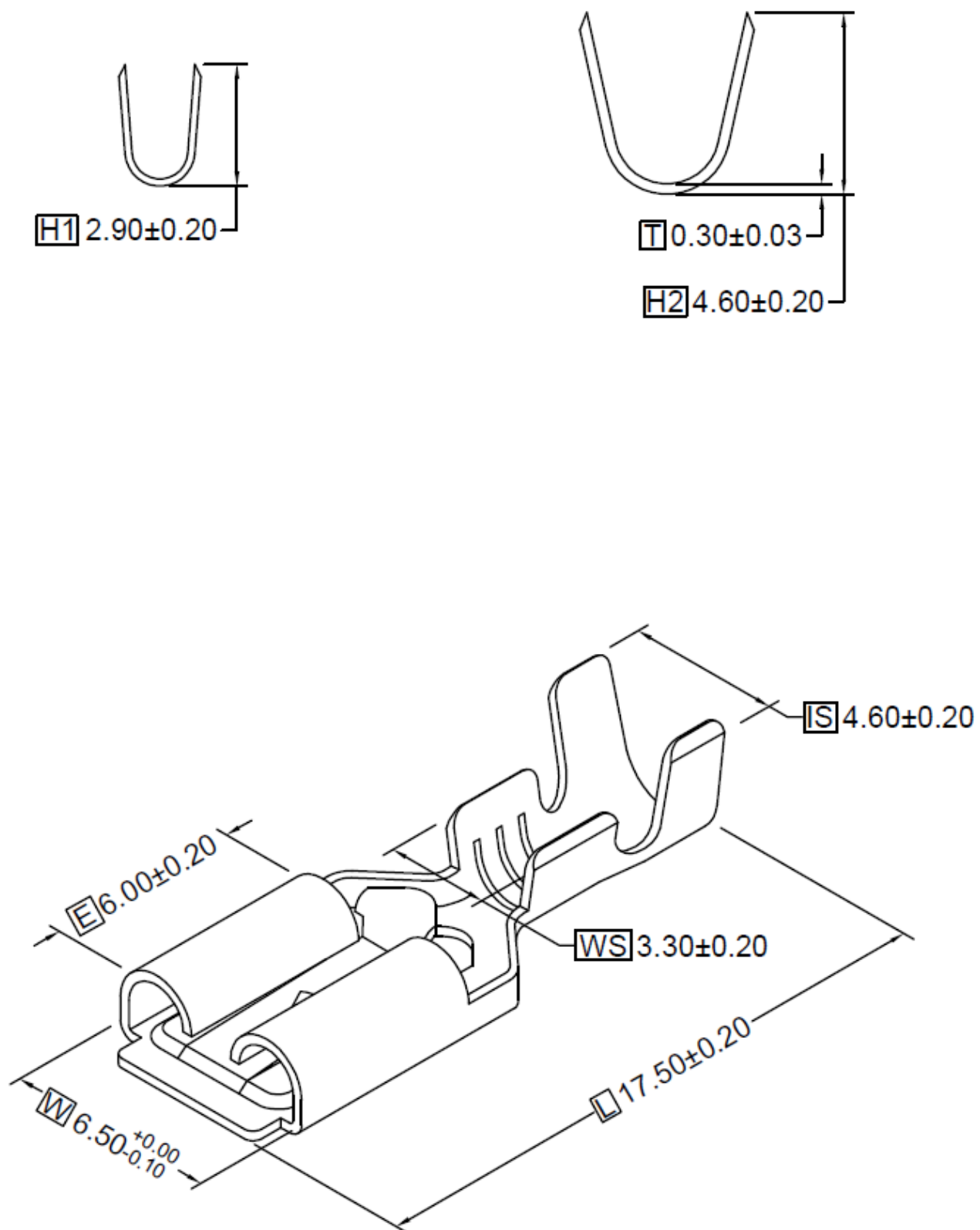


RoHS
Compliant



材质 Material	黄铜Brass(C2680)
电线导体规格 Conductor	16~18AWG
适配端子 Mating Part/ Spec.	(W)5.2*(T)0.8mm

产品说明 Product Description:

1.表面处理 Surface treatment :

电镀Sn , Tin plating

2.外观 Appearance:

>30CM距离 , <5S目视 , 无腐蚀、刮伤、氧化

No corrosion, scratches, oxidation on surface

Inspection condition:

Inspect from >30cm away and for <5 seconds

REV.	REVISION RECORD	DATE	General Tolerance	
A	Original	02/11/22	LINEAR	0.0 ±0.35
			ANGLE	±3°
				0.00 ±0.20
			⊕	UNIT:mm
			A4	NAME
			APPROVED	KELLY
			DESIGNER	GRACE
			DRAWN	CHANWHER



TITLE: Terminal Female Type 4.6H 17.5L			
DWG.NO: TRF006-302		REV. A	
SCALE	1 : 1	SHEET	1 OF 1