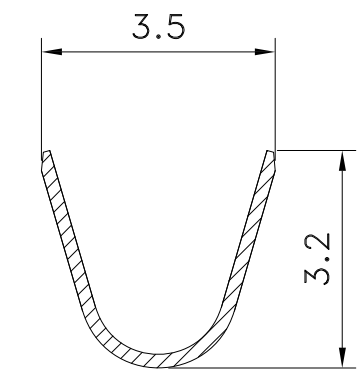
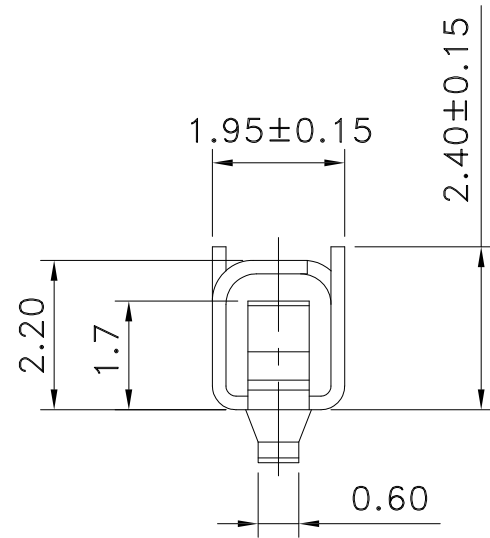
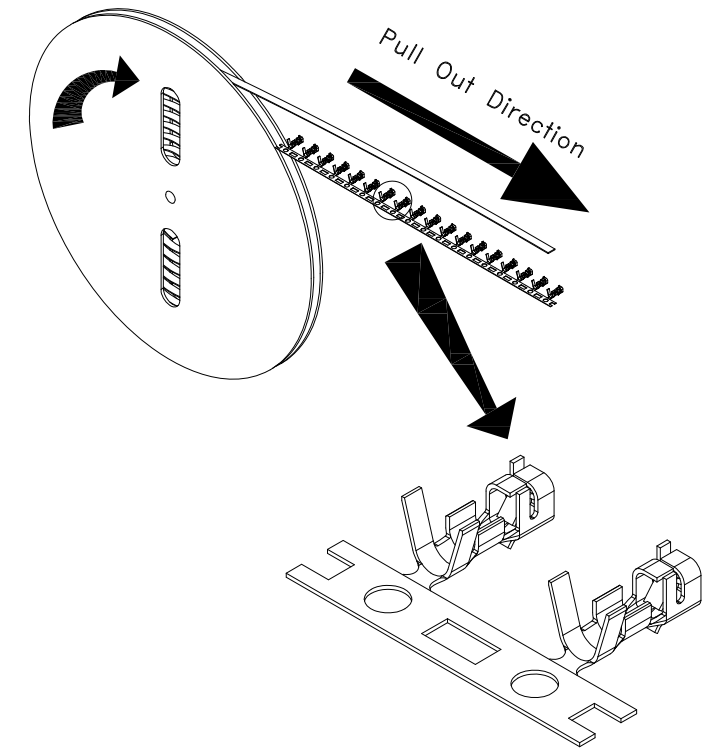
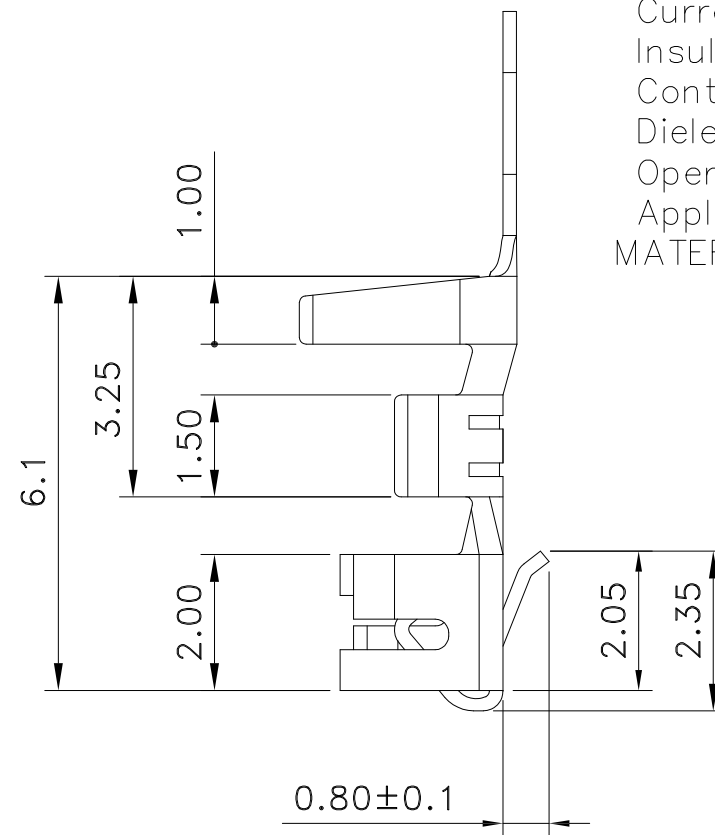


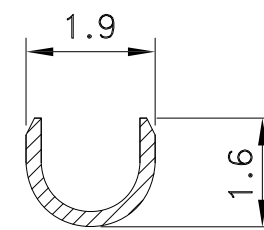
SPECIFICATIONS

Current Rate: 3A AC/DC
 Insulation Resistance: 1000M Ω min.
 Contact Resistance: 20m Ω max.
 Dielectric Voltage: 1000V AC for 1 minute
 Operation Temperature: -25 $^{\circ}$ C ~ +85 $^{\circ}$ C
 Applicable Wire: AWG#22~#28
 MATERIAL: Phosphor Bronze, 0.2t Tin Plated
 Stamping Before Plated

RoHS
Compliant



SECTION A-A



SECTION B-B

Ordering Information

TH 2001 F -81
 2.5Ph Terminal F: Female

REV.	REVISION RECORD	DATE	General Tolerance	
A	Original	04/29/16"	LINEAR	0.0 ±0.25
B	Revised	10/16/18"	ANGLE	±3°
				0.00 ±0.20
			UNIT: mm	
			A4	DATE
			APPROVED	KENNY
			DESIGNER	GRACE
			DRAWN	CHAOSHIN



TITLE: 2.5Ph Terminal Female Type 6.1L

DWG.NO: TH2001F-81 REV.B

SCALE 1 : 1 SHEET 1 OF 1