

NOTE: UNLESS OTHERWISE SPECIFIED

1. MATERIAL P/N:
Phosphor Bronze C5210R-SH T=0.20mm

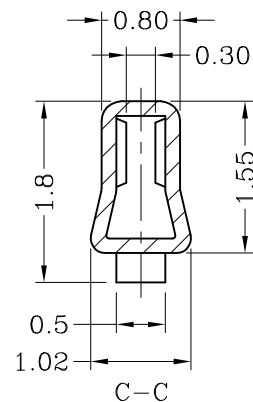
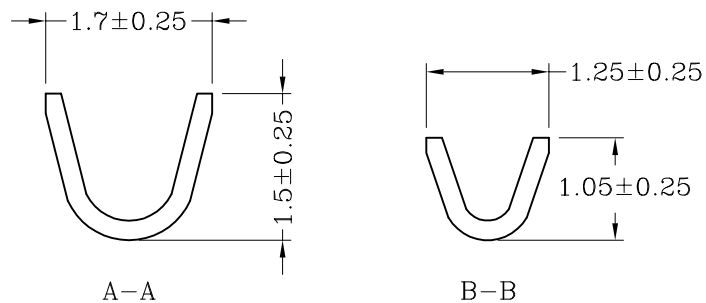
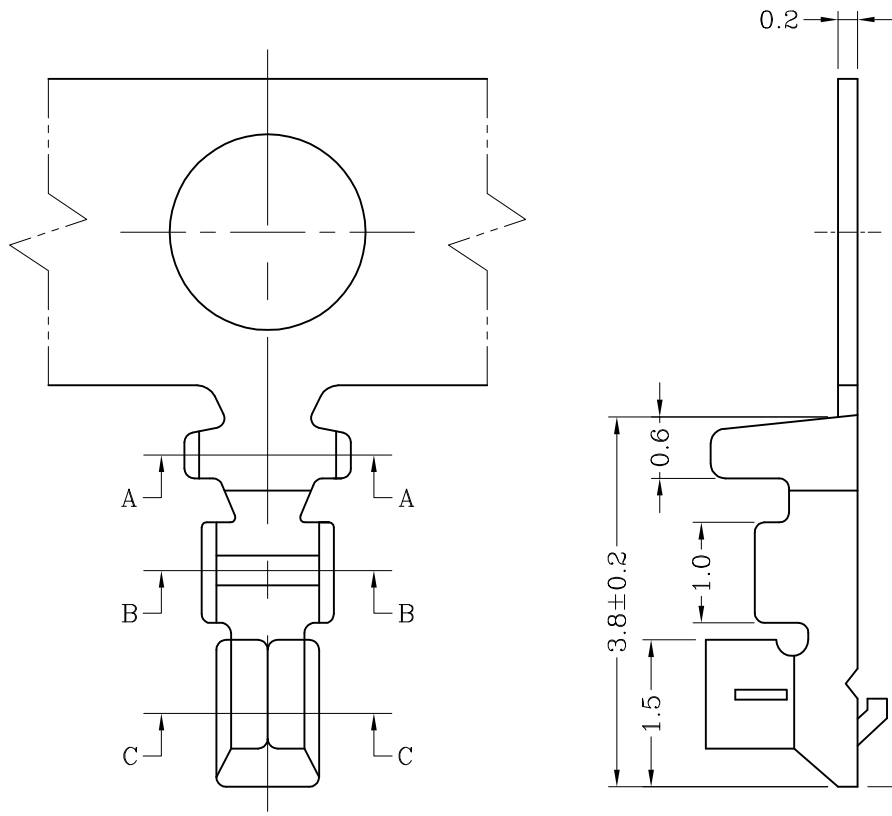
Specification & Ordering Information

Wire Range : AWG #26-#32

Insulation O.D : 0.90mm(MAX)

Material : Phosphor bronze

Finish : Tin-Plated



Ordering Information

TF 15T1 F 2 - 44

1.5Ph Terminal

F:Female

2:Reel Packing

REV.	REVISION RECORD	DATE	General Tolerances		
A	Original	05/15/19*	LINEAR	0.0 ±0.35 0.00±0.20	ANGLES ±3°
			UNIT:mm		
			A4	NAME	DATE
			APPROVED	EVAN	
			DESIGNER	WHITE	
			DRAWN	RUBY	
			TITLE: 1.5P Female Terminal 3.8L		
			DWG.NO.: TF15T1F2-44		REV. A
			SCALE	1 : 1	SHEET 1 OF 1

