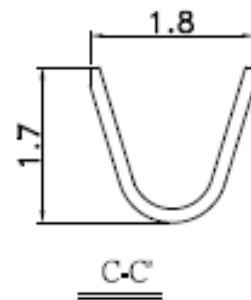
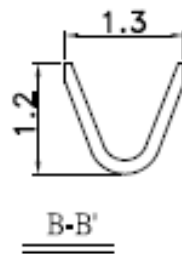
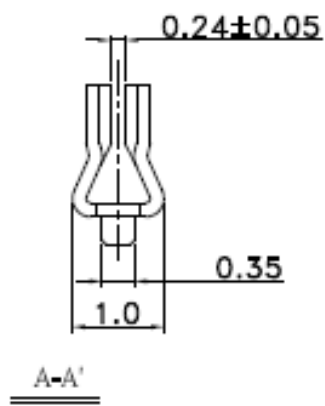


SPECIFICATIONS

- . Voltage Rating : 150V AC/DC
- . Current Rating : 1A AC/DC
- . Withstanding Voltage : 500V AC/minute
- . Insulation Resistance : 1000MΩ min
- . Temperature Range : -25°C to +85°C
- . Contact Resistance : 20mΩ max

TERMINAL

- . Applicable Wires :AWG#26-30
- . Material : Phos. Bronze
- . Finish : Tin Plated
- . Thickness : 0.15mm



RoHS
Compliant

Ordering Information

TE - 1146 - F -81
 1.25P Terminal F:Female Type

REV.	REVISION RECORD	DATE	General Tolerance	
A	Original	08/20/20"	LINEAR	0.0 ±0.25
				ANGLE ±3°
				0.00 ±0.20
			⊕	UNIT:mm
			A4	NAME
			APPROVED	KENNY
			DESIGNER	ALLEN
			DRAWN	CHAOSHIN



TITLE: 1.25mm Terminal Female 3.7L

DWG.NO: TE1146F-81 REV. A

SCALE 1 : 1 SHEET 1 OF 1