

1 2 3 4 5 6 7 8

A

B

C

D

E

F

G

H

A

B

C

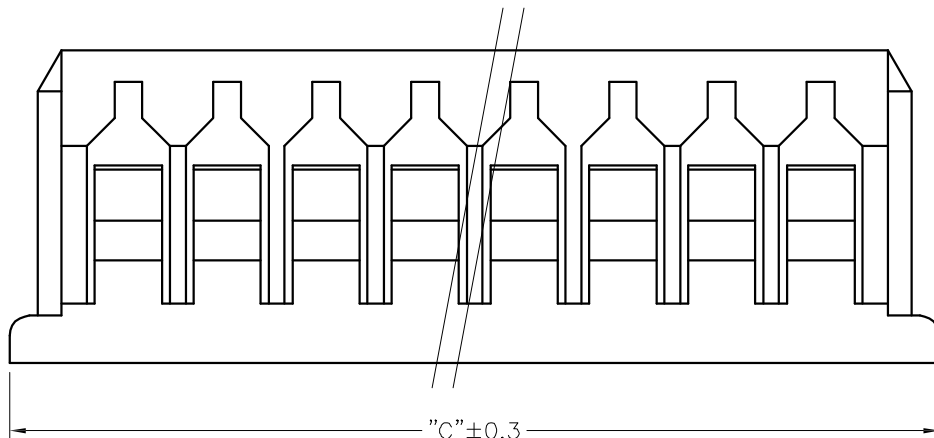
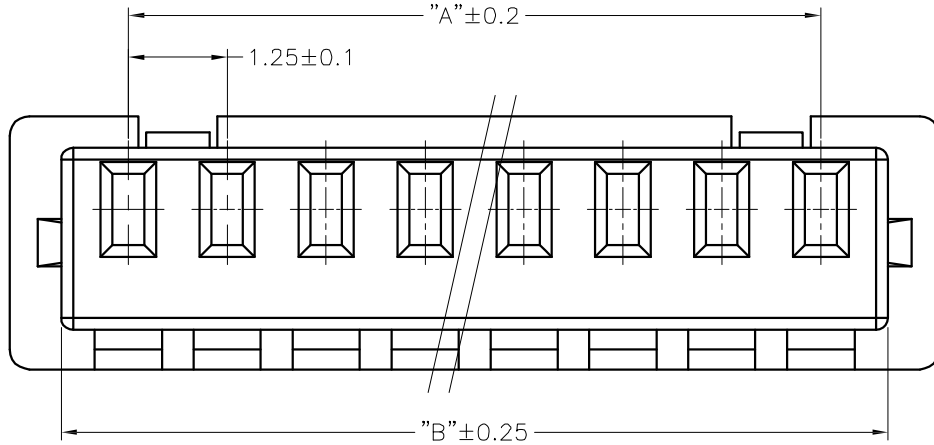
D

E

F

G

H



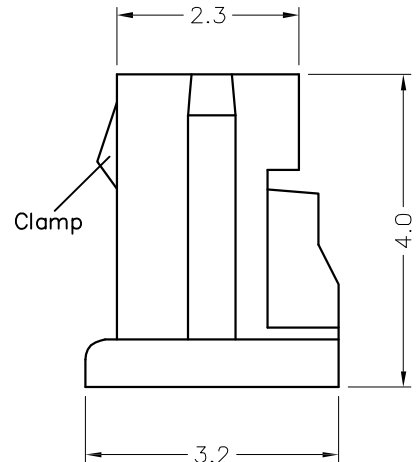
RoHS
Compliant

■ SPECIFICATIONS

- ◆ Applicable : AWG#28~ #32
- ◆ Rated voltage: 125V DC,AC(rms)
- ◆ Rated Current: 1A AC/DC
- ◆ Withstand voltage: 250V AC/min.
- ◆ Working Temp : -40°C ~ +85°C
- ◆ Insulation resistance: ≥100 MΩ
- ◆ Contact resistance: ≤20 mΩ

■ MATERIAL

- ◆ Insulator: PA46 , UL94-V0



Poles	DIM.A	DIM.B	DIM.C
2P	1.25	2.95	4.25
3P	2.50	4.20	5.50
4P	3.75	5.45	6.75
5P	5.00	6.70	8.00
6P	6.25	7.95	9.25
7P	7.50	9.20	10.50
8P	8.75	10.45	11.75
9P	10.00	11.70	13.00
10P	11.25	12.95	14.25
11P	12.50	14.20	15.50
12P	13.75	15.45	16.75
13P	15.00	16.70	18.00
14P	16.25	17.95	19.25
15P	17.50	19.20	20.50
16P	18.75	20.45	21.75

2P~3P: 1 Clamp
4P~16P: 2 Clamps

Order Information

HE -XX -T1NY-1 -44
 | | |
 1.25P Pin No. Packing
 Housing 1:Bag

REV.	REVISION RECORD	DATE	General Tolerance		ARIBA TECHNOLOGY CO., LTD.
A	Original	06/24/14*	LINEAR	0.0 ±0.25 ANGLE ±3° 0.00 ±0.20	
B	Revised	10/21/15*	UNIT: mm		
C	Revised	12/10/15*	A4	NAME	
D	Revised	02/07/20*	APPROVED	KENNY	
			DESIGNER	BRUCE	
			DRAWN	JINDAR	
			TITLE:	1.25 Pitch Housing 4.0L	
			DWG.NO:	HEXXT1NY1-44	
			SCALE	1 : 1	
			SHEET	1 OF 1	
			REV.	D	

1 2 3 4 5 6 7 8