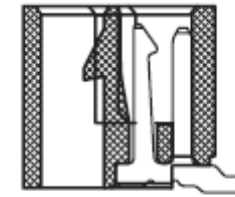
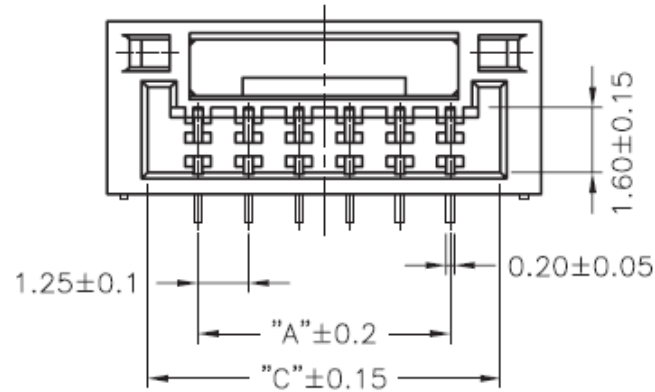
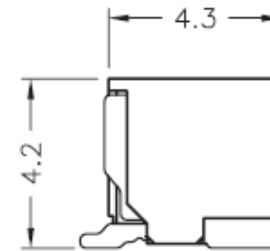
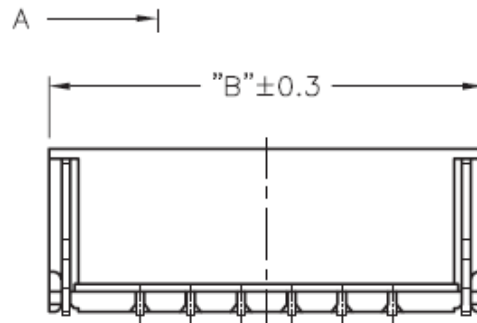


Pin	DIM A	DIM B	DIM C
2	1.25	5.75	3.75
3	2.50	7.00	5.00
4	3.75	8.25	6.25
5	5.00	9.50	7.50
6	6.25	10.75	8.75
7	7.50	12.00	10.00
8	8.75	13.25	11.25
9	10.00	14.50	12.50
10	11.25	15.75	13.75
11	12.50	17.00	15.00
12	13.75	18.25	16.25
13	15.00	19.50	17.50
14	16.25	20.75	18.75
15	17.50	22.00	20.00



A-A



SPECIFICATIONS:

- Applicable Wire:AWG#28~#32
- Voltage Rating:100V AC/DC(rms)
- Current Rating:1.0A AC/DC(AWG#28)
- Withstand voltage:250V AC/Min(rms)
- Operating Temperature:-25°C~+85°C
- Insulation Resistance:100MΩ min.
- Contact Resistance:30mΩ max.

MATERIAL:

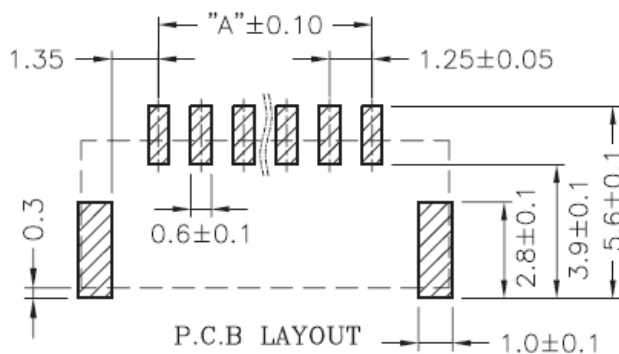
- Terminal:Phosphor Bronze
- Housing:PA46,UL94V-0,Natural
- Fitting Nail:Phosphor Bronze,Tin Plated

RoHS
Compliant

Ordering Information

WE - 4 - XX - PT - T7NA-4-44

1.25Ph Wafer Solder/PCB Total PIN Contact Plated Packing
4:SMT VT PT: Tin 4:Reel+cap



REV.	REVISION RECORD	DATE	General Tolerance		
A	Original	12/14/18"	LINEAR	ANGLE ±3°	
					TITLE:1.25Ph Wafer SMT Vertical 4.2H
			A4	NAME	DWG.NO: WE4XXPTT7NA4-44
			APPROVED	KENNY	REV. A
			DESIGNER	BRUCE	
			DRAWN	JINDAR	SCALE 1:1 SHEET 1 OF 1