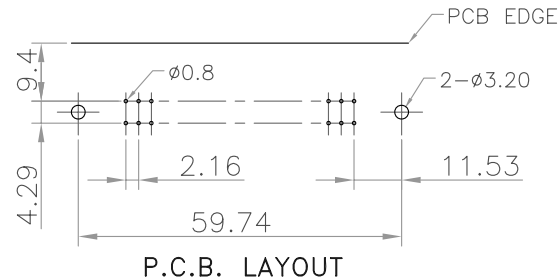
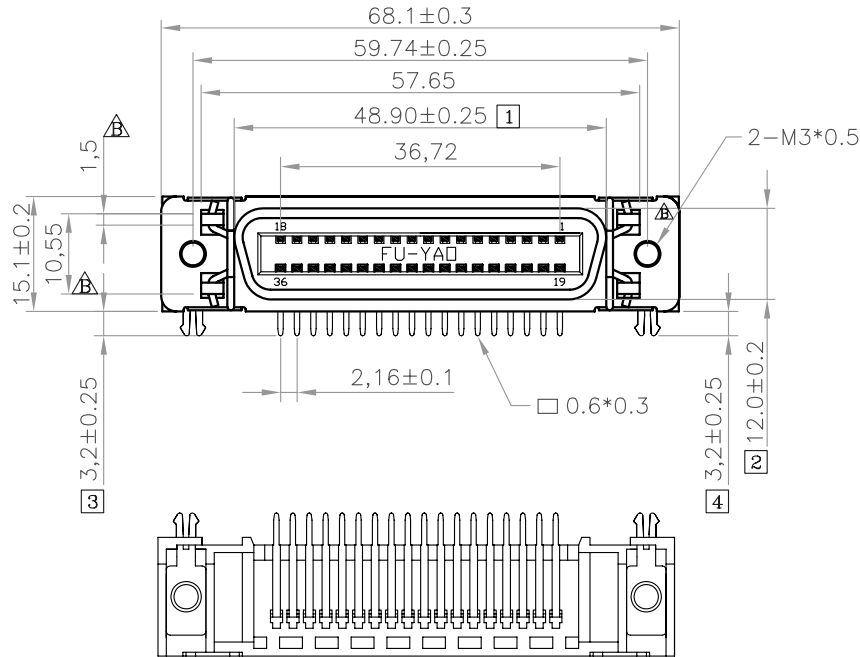
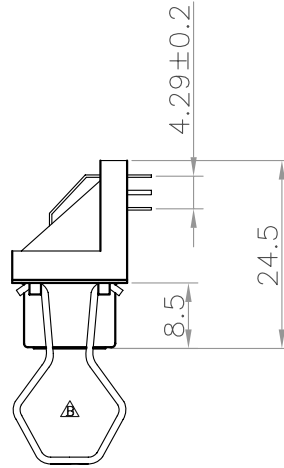
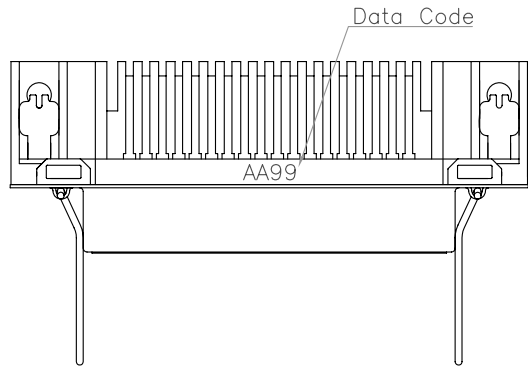


RoHS COMPLIANT

REV	DATE	DESCRIPTION
A	01/28/'13	From RR6-36SKAAGU4N00 / Fig00967-7
B	11/08/'13	Revision Change



### Material & Finish

**SHELL:**

Steel  
Nickel plated steel

**PIN CONTACT:**

Phosphor Bronze  
Gold plated

**INSULATOR:**

PBT & Glass-fibre reinforced  
UL-94-V0, Black

**CURRENT RATING:**

1 Amp

**DIELECTRIC STRENGTH:**

1000V for one minute

**INSULATOR RESISTANCE:**

1000MΩ Min. (at 500V DC)

**TEMPERATURE:**

-55°C to +105°C

**NOTE**

DATA CODE : \_ \_ \_ \_

(1) (2)

(1) : AD Year, A=1 F=6  
B=2 G=7  
C=3 H=8  
D=4 I=9  
E=5 J=0

(2) : Week, 01 02 03 04 05 ... 52

FU-YAO TECHNOLOGY CO., LTD.

復堯科技股份有限公司

**MODEL NAME:**

CENTRONIC PCB R/A TYPE FEMALE  
3.2mm PIN RIVET M3 3.2mm Z SHAPE  
LOCK SPRING LATCH

MARK EXPLAIN:  
△:Revision Change  
①:Important Dimension  
①:Note

TOLERANCE:  
0.000:  
0.00 : ±0.20  
0.0 : ±0.30  
0. : ±0.40  
ANGLE: ±3.0°  
UNIT: mm

PART NO. RR6-36SKAAGUFN00 △

APPROVED BY: Alberta

CHECKED BY: Edea

DRAW BY: ALAN

FILE NO. FIG00967-12 △

SCALE: FREE

DATE : 1020128