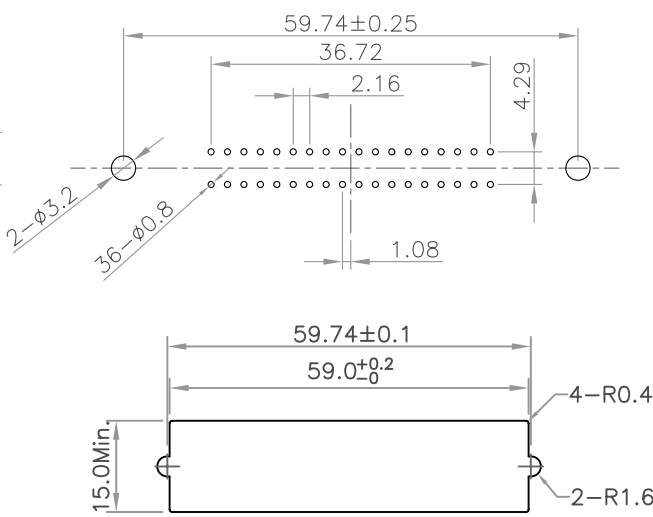
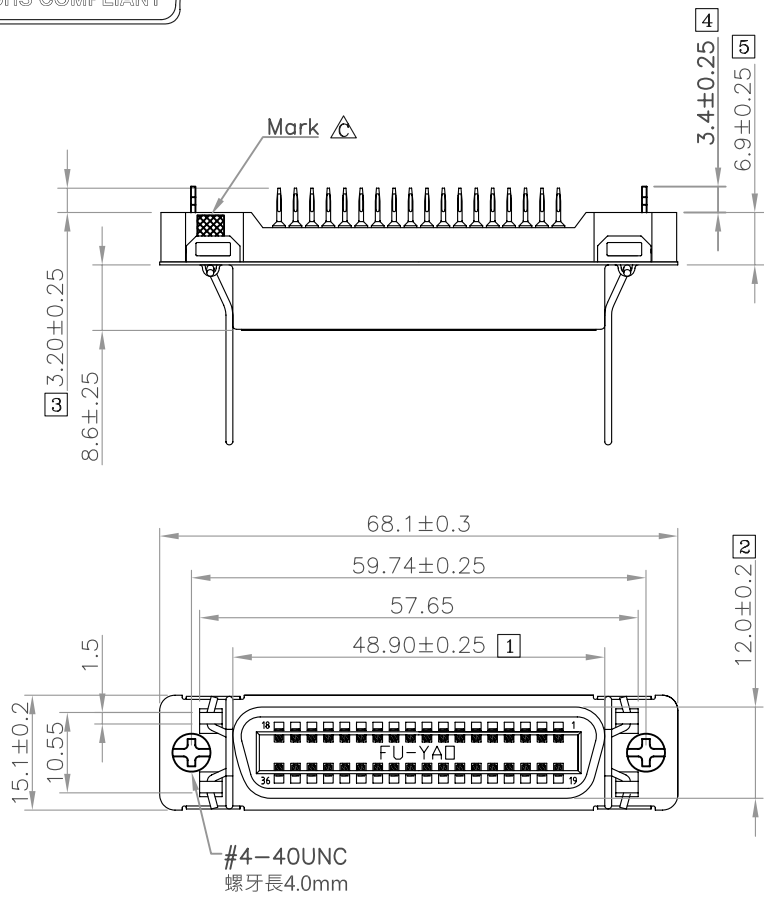
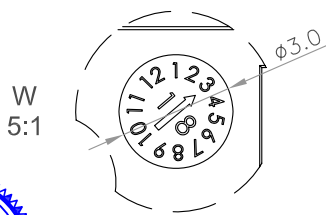
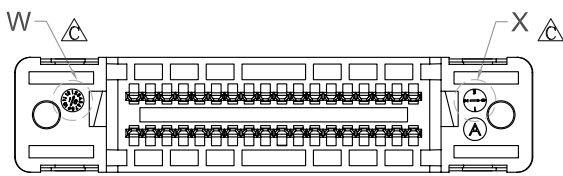
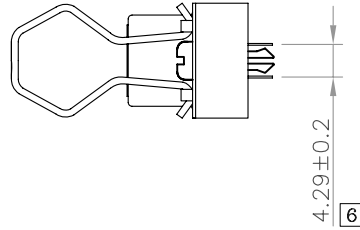


RoHS COMPLIANT

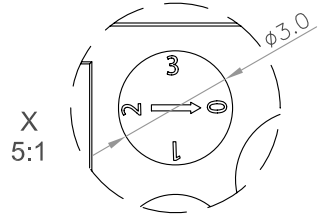
REV	DATE	DESCRIPTION
C	03/29/'18	側邊噴印批號取消·塑膠重開模·底部放年月章跟批次章 Apply: Alan
		卡扣下方加辨識記號



Panel Cutout



Date Clock Sunken
MM/YY
Example 03/18



Lot Number Sunken
0 = 1~50000pcs
1 = 50001~100000pcs
2 = 100001~150000pcs
3 = 150001~200000pcs



FU-YAO TECHNOLOGY CO., LTD.
復堯科技股份有限公司

MODEL NAME:
CENTRONIC 36PIN PCB S/T TYPE
FEMALE, SCREW LOCK BOARD LOCK
W/SPRING LATCH

MARK EXPLAIN:
△:Revision Change
①:Important Dimension
①:Note

TOLERANCE:
0.000:
0.00 : ±0.20
0.0 : ±0.30
0. : ±0.40
ANGLE: ±3.0°
UNIT: mm

PART NO. RS6-36SKAABFLOO
APPROVED BY: ALBERTA
CHECKED BY: ALAN
DRAW BY: LEE
FILE NO. FIG00525-9
SCALE: 1/1
DATE: 1021205