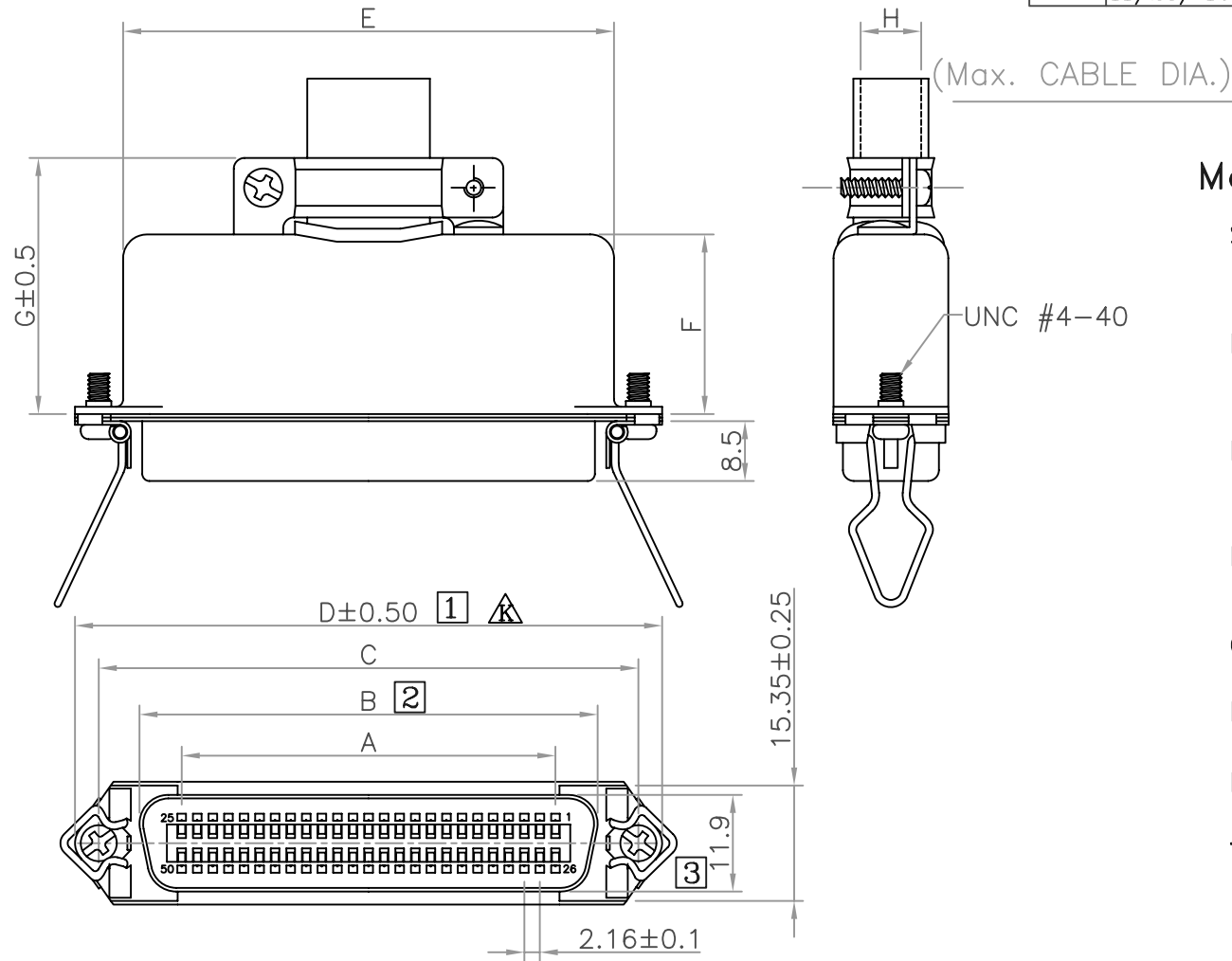


RoHS COMPLIANT

REV	DATE	DESCRIPTION
K	11/28/'16	Update



### Material & Finish

**SHELL:**

Steel  
Nickel plated steel

**PIN CONTACT:**

Brass  
Gold Flash plated

**INSULATOR:**

PBT & Glass-fibre reinforced  
UL 94V-0, Blue

**NUMBER OF CONTACT:**

14,24,36,50

**CURRENT RATING:**

5 Amp

**DIELECTRIC STRENGTH:**

1000V for one minute

**INSULATOR RESISTANCE:**

1000MΩ Min. (at 500V DC)

**TEMPERATURE:**

-55°C to +105°C

Positions	A	B	C	D	E	F	G	H
14	12.96	25.2	36.0	44.1	29.0	21.6	31.6	7.0
24	23.76	36.0	46.8	55.4	39.7	20.6±1	30.72±1	9.0
36	36.72	48.9	59.7	68.0	52.8	22.6	32.7	11.5
50	51.84	64.1	74.9	83.4	68.1	24.9	35.5	12.5



FU-YAO TECHNOLOGY CO., LTD.  
復堯科技股份有限公司

MODEL NAME:  
CENTRONIC SOLDER TYPE FEMALE APOUSE  
180° METAL COVER & SPRING LATCH

MARK EXPLAIN:  
 ⚠:Revision Change  
 ①:Important Dimension  
 ①:Note  
 TOLERANCE:  
 0.00:  
 0.00 : ±0.20  
 0.0 : ±0.30  
 0. : ±0.40  
 ANGLE: ±3.0°  
 UNIT: mm

PART NO. RC6-xxSBBAAX200x  
 APPROVED BY: ALBERTA  
 CHECKED BY: ALAN  
 DRAW BY: JARVIS  
 FILE NO. FIG00084  
 SCALE: FREE  
 DATE: 881206