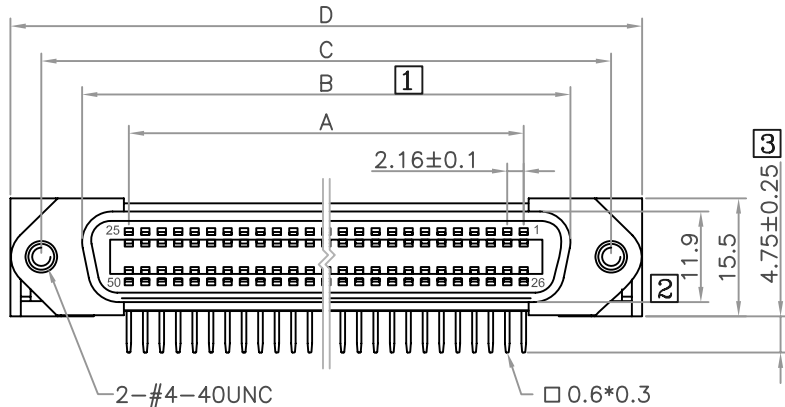
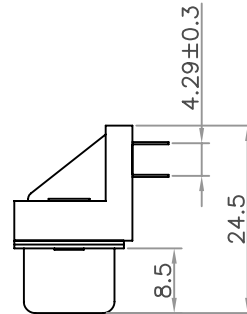
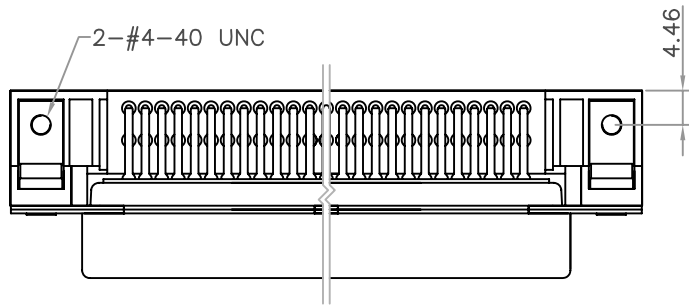


RoHS COMPLIANT

REV	DATE	DESCRIPTION
F	07/10/'18	重新排版

Apply: Alan



Material & Finish

SHELL:

Steel, Nickel Plated

PIN CONTACT:

Phosphor Bronze
Gold Flash Plated

INSULATOR:

PBT & Glass-fibre reinforced
UL-94-V0 Blue

CURRENT RATING:

3 Amp

CONTACT RESISTANCE:

30mΩ

DIELECTRIC STRENGTH:

1000VAC for one minute

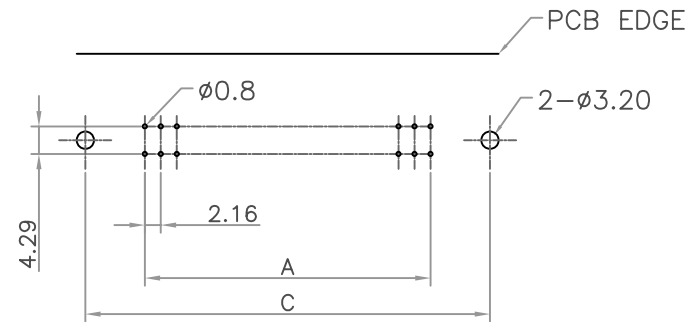
INSULATOR RESISTANCE:

1000MΩ Min. (at 500VDC)

TEMPERATURE:

-55°C to +105°C

Position	A	B	C	D
14	12.96	25.2	36.0	43.9
24	23.76	36.0	46.8	54.7
36	36.72	48.9	59.7	67.7
50	51.84	64.1	74.9	82.8



RECOMMEND PCB LAYOUT

FU-YAO TECHNOLOGY CO., LTD.
復堯科技股份有限公司

MODEL NAME:
CENTRONIC PCB R/A TYPE FEMALE
RIVET L SHAPE

MARK EXPLAIN:
△:Revision Change
①:Important Dimension
①:Note

TOLERANCE:
0.00:
0.00 : ±0.20
0.0 : ±0.30
0. : ±0.40
ANGLE: ±3.0°

UNIT: mm

PART NO. RR2-xxSBAAACOM00

APPROVED BY: ALBERTA

CHECKED BY: EDEA

DRAW BY: ALAN

FILE NO. FIG00042

SCALE: 1/1

DATE: 880707