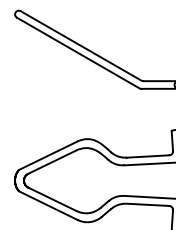
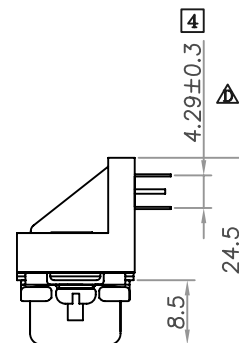
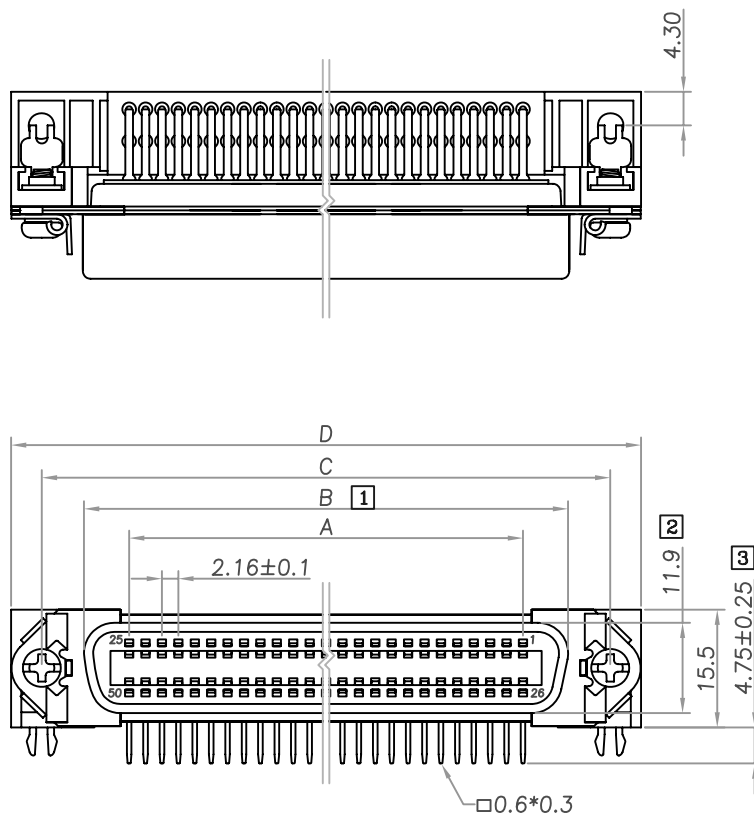


RoHS COMPLIANT

| REV | DATE | DESCRIPTION |
|-----|-----------|-------------|
| D | 08/14/'19 | 重新排版、規格敘述 |



APPOSE SPRING LATCH
x2PCS

Material & Finish Δ

SHELL:

Steel, Nickel Plated Steel

PIN CONTACT:

Phosphor Bronze
Gold Flash Plated

INSULATOR:

PBT & Glass-fibre reinforced
UL-94-V0 Blue

CURRENT RATING:

3 Amp

CONTACT RESISTANCE:

30m Ω

DIELECTRIC STRENGTH:

1000VAC for one minute

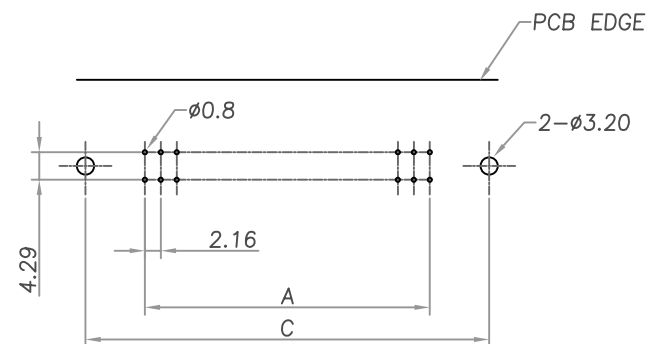
INSULATOR RESISTANCE:

1000M Ω Min. (at 500VDC)

TEMPERATURE:

-55°C to +105°C

| Positions | A | B | C | D |
|-----------|-------|------|------|------|
| 14 | 12.96 | 25.2 | 36.0 | 43.9 |
| 24 | 23.76 | 36.0 | 46.8 | 54.7 |
| 36 | 36.72 | 48.9 | 59.7 | 67.7 |
| 50 | 51.84 | 64.1 | 74.9 | 82.8 |



RECOMMEND PCB LAYOUT

FU-YAO TECHNOLOGY CO., LTD.
復堯科技股份有限公司

MODEL NAME:
CENTRONIC PCB RIGHT ANGLE TYPE
FEMALE SCREW LOCK Z SHAPE
APPOSE SPRING LATCH

| MARK | EXPLAIN: | TOLERANCE: |
|----------|---------------------|--------------|
| Δ | Revision Change | 0.000: |
| 1 | Important Dimension | 0.00 : ±0.20 |
| ① | Note | 0.0 : ±0.30 |
| | | 0. : ±0.40 |
| | | ANGLE: ±3.0° |
| | | UNIT: mm |

| | |
|--------------------------|---------------------|
| PART NO. RR4-xxSBAAP2A00 | |
| APPROVED BY: ALBERTA | FILE NO. FIG00039-1 |
| CHECKED BY: ALAN | SCALE: 1/1 |
| DRAW BY: LEE | DATE: 950503 |